



3562 W. Jefferson
 Grand Ledge, MI 48837
 1-888-571-1144
 1-517-622-2700
 Fax: 1-517-622-1435
 info@shappell.com
 www.shappell.com



FX200 Series Ice Fishing Shelter

Models: **FX200**
FX200D



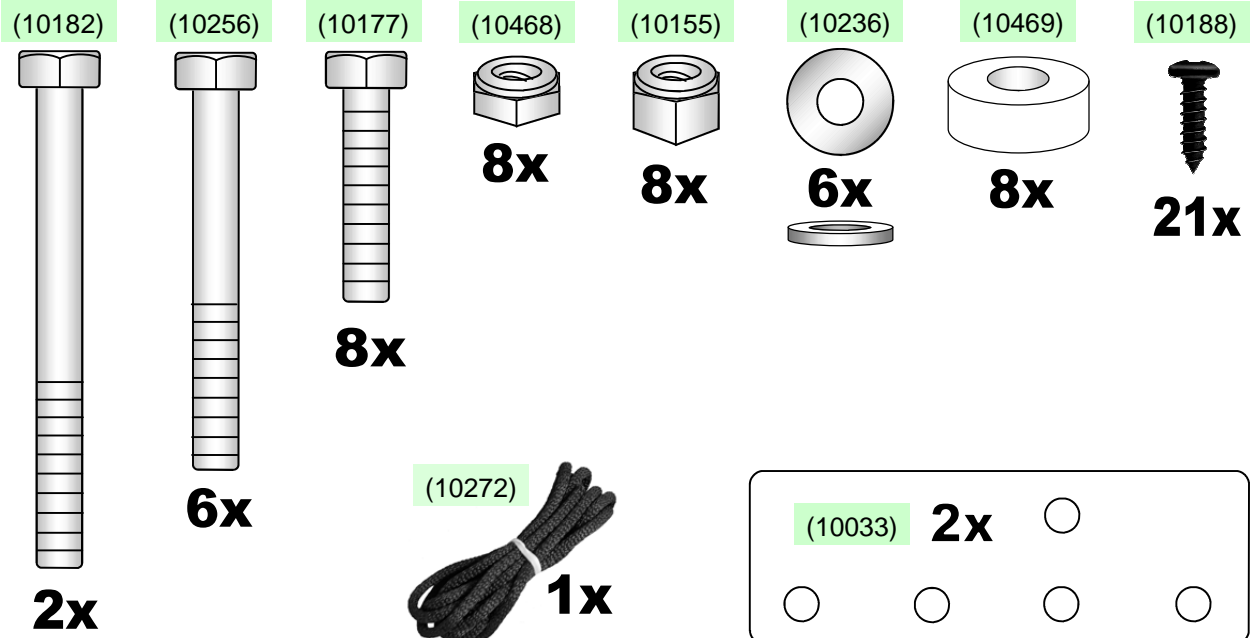
WARNING: Keep all Heat & Flame Sources away from the Shelter's Fabric Cover. The Fabric Cover is Fire Retardant, it is not Fire Proof. The use of any heat source can be extremely dangerous, both for Fire Hazard and Carbon Monoxide Emissions. The Shappell Corporation does not endorse the use of any Heater. It is the user's responsibility to follow the Instructions and Warnings provided by the Heater Manufacturer for the safe use of a particular Heater.

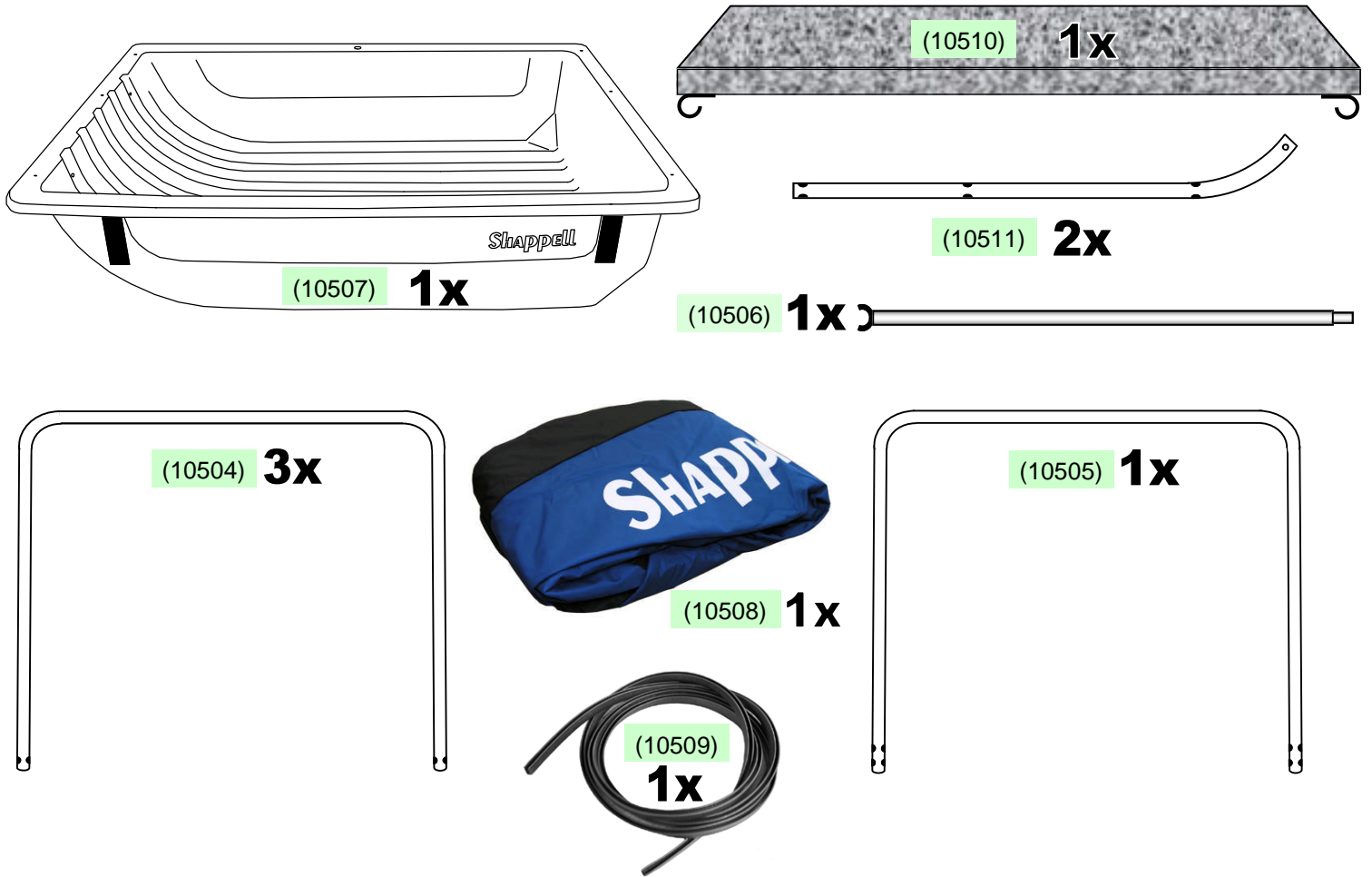
CARBON MONOXIDE POISONING HAZARD: This shelter must be ventilated if using an oxygen consuming heat source. An extra zipper pull at the top of each door provides extra ventilation. **DO NOT PACK SNOW AROUND SHELTER** or in any way prevent fresh air from entering shelter. Failure to Ventilate Shelter could create a Serious Health Hazard or Death.

MAINTENANCE: After each use, set up shelter until fabric is completely dry. Never leave shelter folded closed with a wet cover.

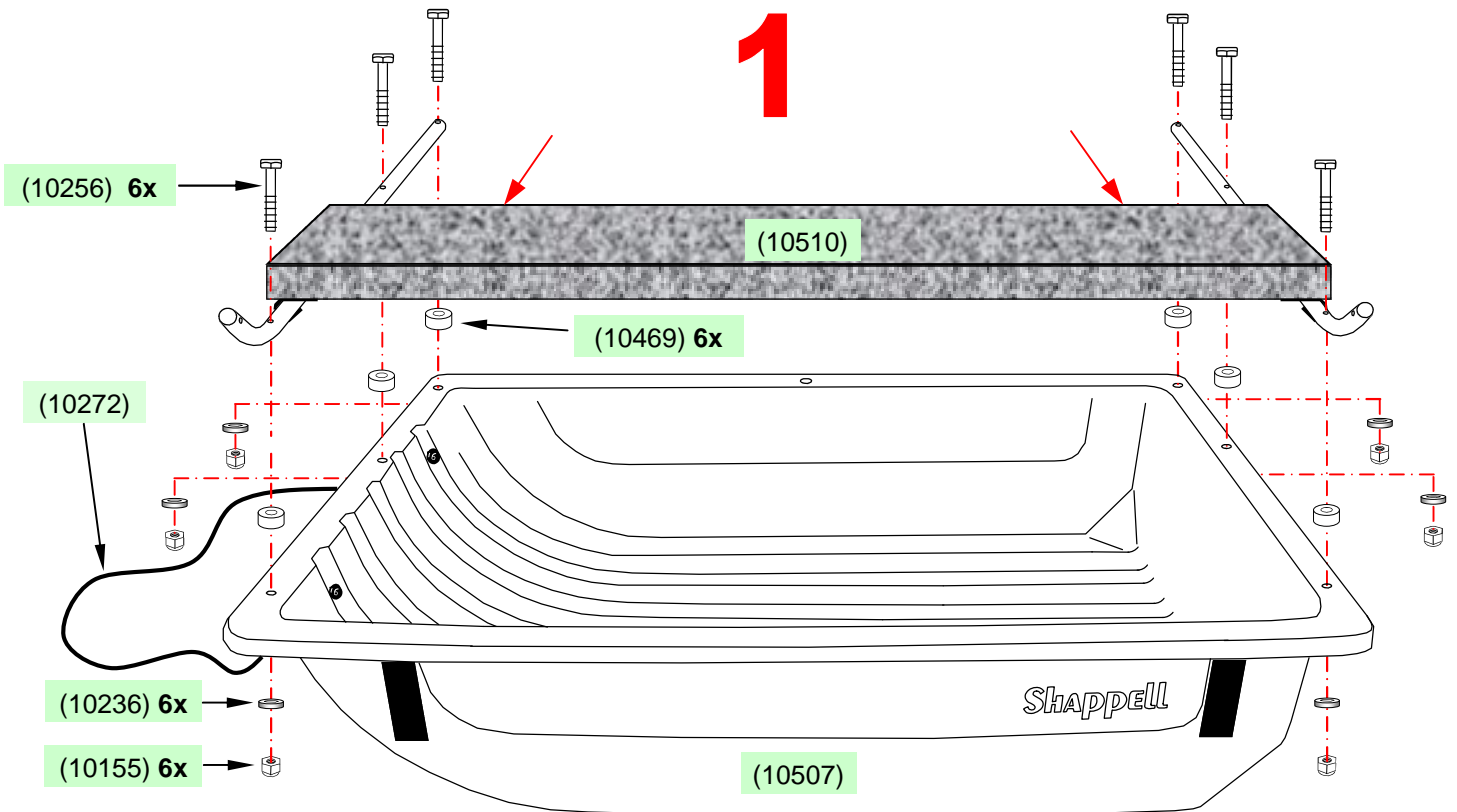
NOTICE: It is normal for fabric to have some pinholes. This does not affect water repellency.

CONSUMER WARRANTY SHAPPELL CORPORATION warrants its products against defects in material and workmanship for (1) year from date of purchase. We will provide FREE repair or replacement, in whole or in part, at our option, for any product, found in our opinion to be defective. If return is required, freight must be prepaid. This warranty does not cover freight damage, ordinary wear and tear, abuse, misuse or altered product.





1



2

8x (10177)

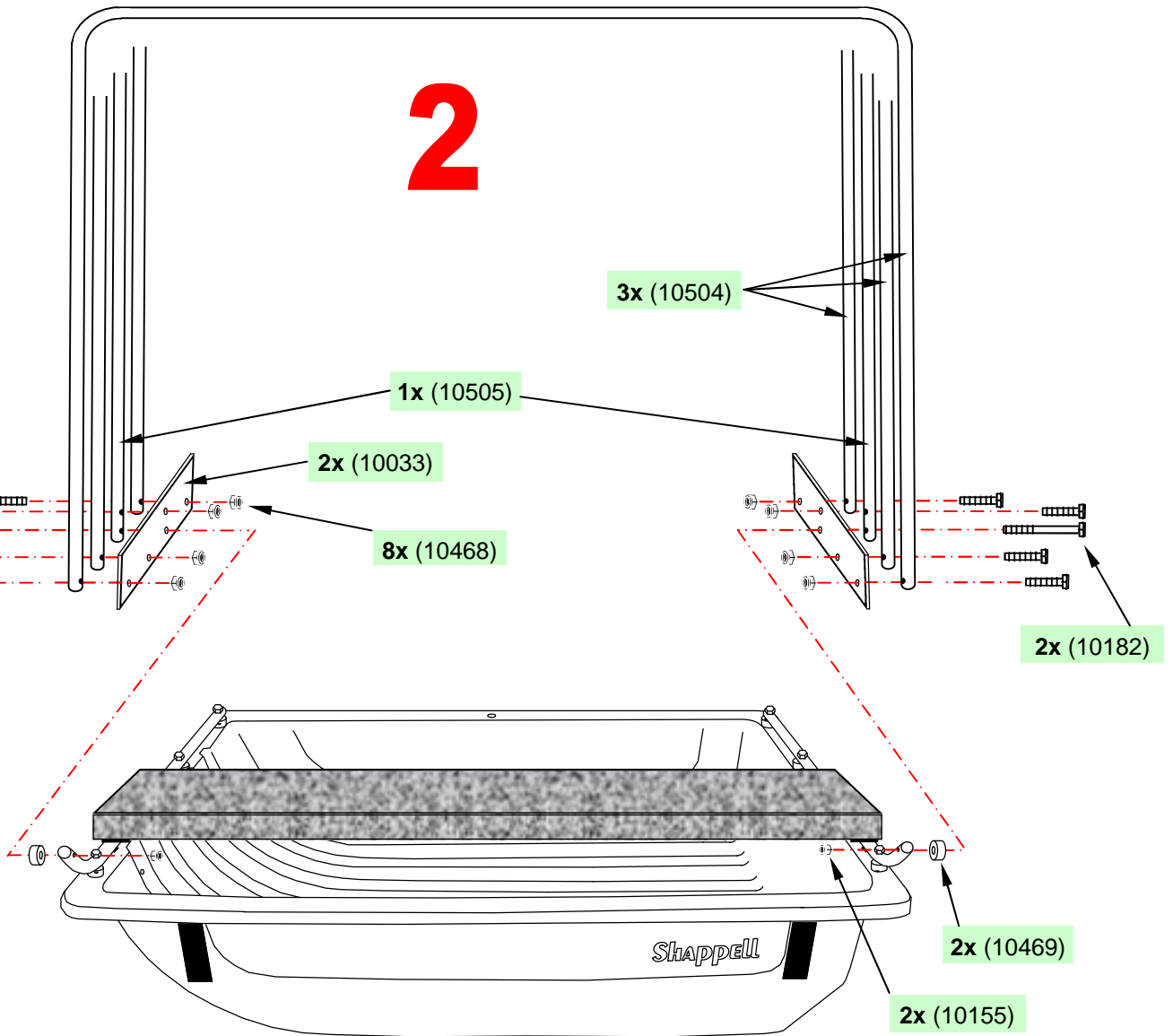
3x (10504)

1x (10505)

2x (10033)

8x (10468)

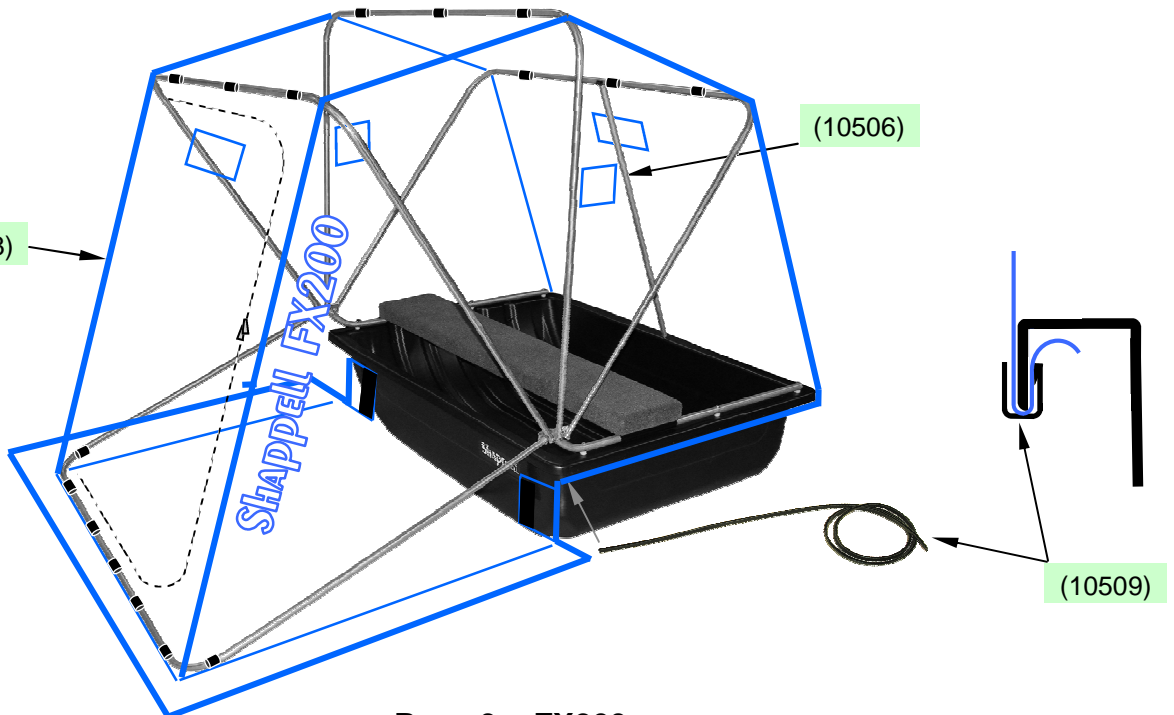
2x (10182)



3

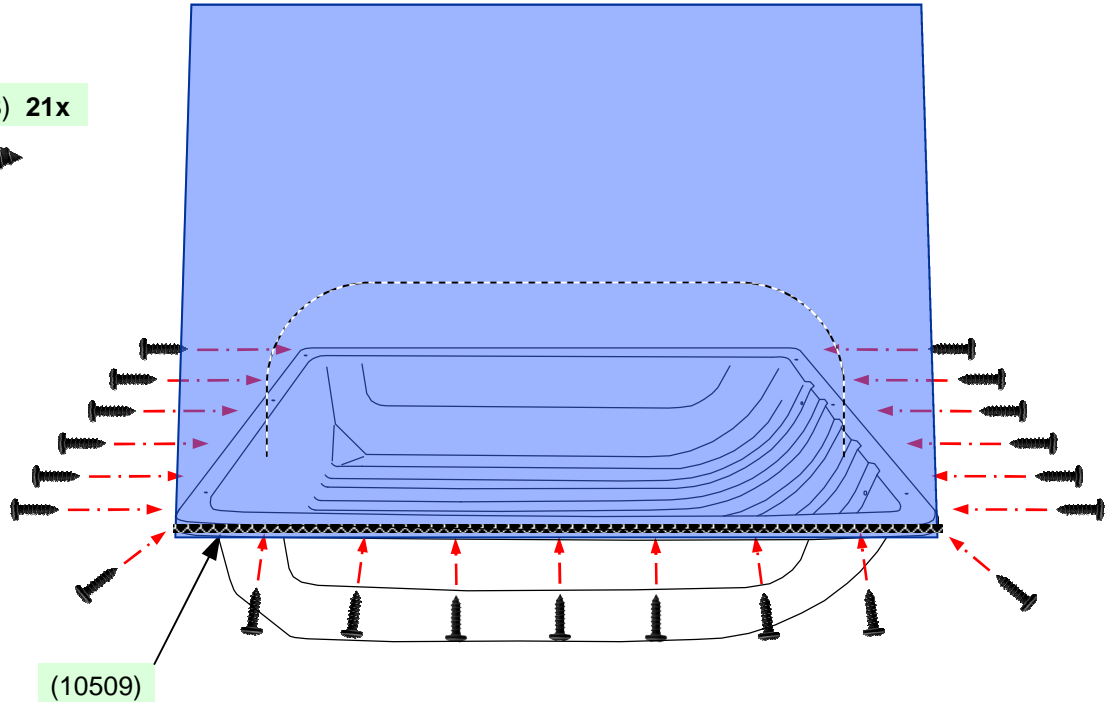
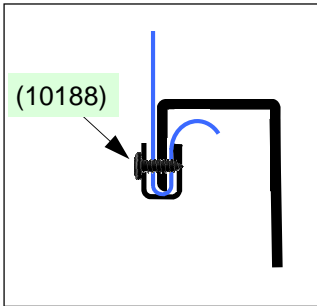
(10508)

(10506)



4

(10188) 21x



Take Down Instructions.

1. Remove Rear Brace (10506) and Rotate Frames back to Sled.
2. Securing Frames with a Bungee Cord or optional Travel Cover # **TC-15** will help prolong life of Tent.

Pulling any distance with a motorized vehicle or pulling on asphalt, concrete, dirt, stone or rocks will cause premature wear of the sled base. Optional wear bar kit #**SWB3** is recommended.

Parts & Accessories available at www.shappell.com

(10503)