

## S/DX SERIES COVER REPLACEMENT INSTRUCTIONS

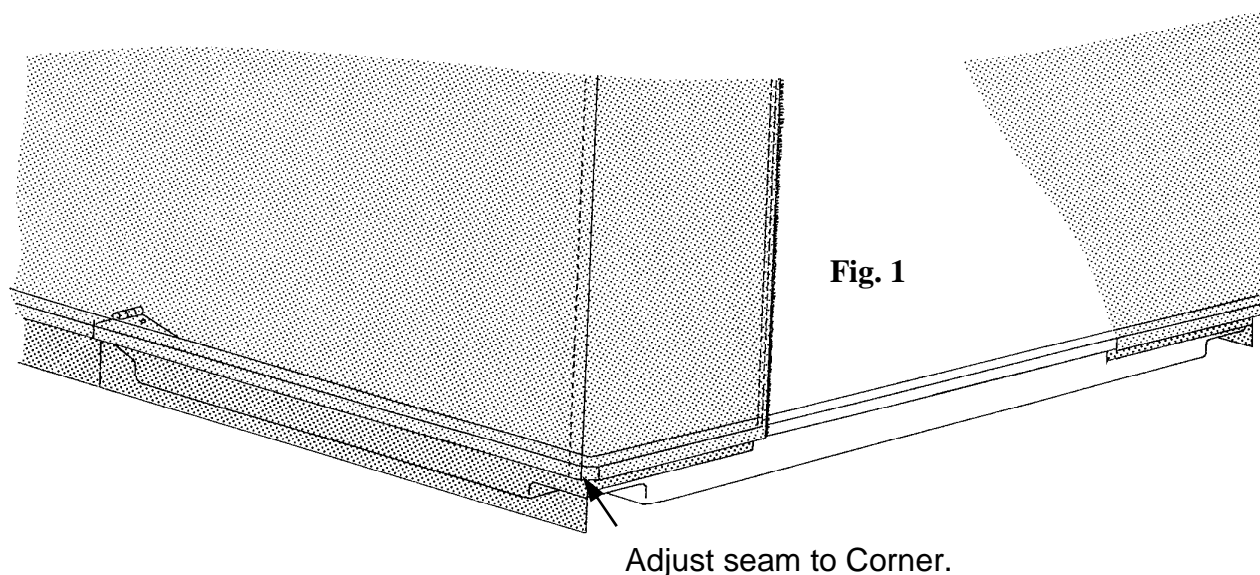
TOOLS REQUIRED: Drill, 3/32" Drill Bit, Philips Screwdriver, Flat Blade Screwdriver, Pliers, Knife.

### Remove Old Cover:

- 1) Open shelter (do not set up) and set on a table large enough to support shelter floor so that it lays flat.
- 2) Remove trim staples by inserting flat blade of screwdriver under the head of the staple and prying up one leg then pull staple out with pliers. Notice how trim looks installed and the notch on the back side of trim at the corners.
- 3) Remove cover staples the same way as trim staples.

### New Cover Installation:

- 1) Set shelter on floor and set up both end frames.
- 2) Unzip doors and place cover over frames. Adjust fabric so that seams follow curve of the frames.
- 3) Install roof tube(s) and zip doors closed.
- 4) With (2) people: Lift shelter up and onto the table by picking shelter up from the hinged sides (with hands centered on each floor half). If you do not have enough ceiling height to set shelter on a table try to elevate shelter off the floor as much as possible to make it easier to work. Make sure floor is evenly supported and flat.
- 5) Pull cover down at the corners so that seams are at the corners of the floor as shown in Fig. 1.



## Installing Trim:

Note: The trim has been notched on the back side where it turns the corner. There are (2) trim notched for the left side of the hinge joint and (2) trim notched for the right side of the hinge joint.

- 1) On zipper side of doors, roll fabric under lip of floor and push trim onto lip starting at the zipper and going towards the hinge joint. Leave a small gap at hinge joint (cut off excess if necessary).
- 2) On the opposite side of the shelter, roll fabric under lip of floor and push trim onto lip starting at the hinge joint (leave small gap at hinge joint) and going toward the folding edge of door (again cut off excess if necessary).
- 3) Check cover for fit, it should be tight enough to hold roof tube in place but not so tight as to pull trim off. Also, check that the zipper operates easily at the bottom of the door. If door is stretched to tight from corner to corner the zipper will operate hard and show stress lines around stitches. (adjust cover if necessary and reinstall trim)
- 4) Cut a vertical slit in fabric at both hinges up to the center of the hinge knuckle.
- 5) Drill through front of trim and lip of floor with a 3/32" drill bit at each end of trim and each side of each corner. **DO NOT DRILL THROUGH BACK OF TRIM...** this will prevent the sharp screw tip from being exposed. Note: Try to drill the hole at zipper end of trim so that screw will go through fabric of zipper. Drill (7) evenly spaced holes between hinge joint and corner of floor and drill (2) evenly spaced holes between corners and door edges. Attach trim and cover to floor with the (52) Black #6 x 1/2" Pan-Philip screws provided.
- 6) Cut off excess fabric below trim.

