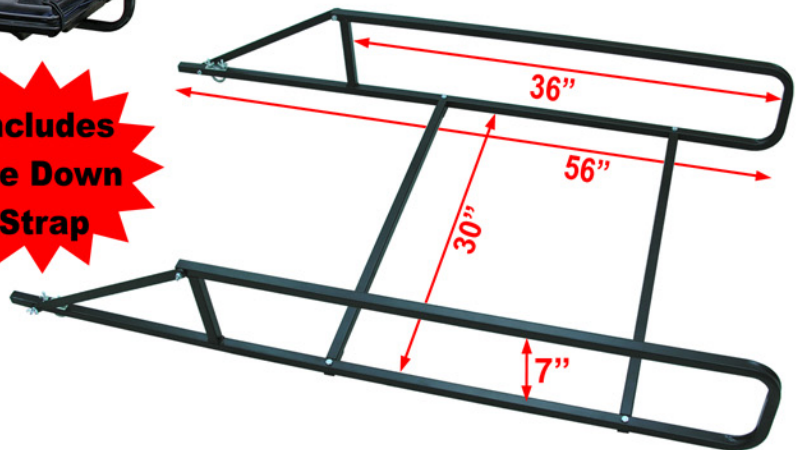


Built to Handle the Roughest Conditions

This ATV Rear Rack System gets your Portable Ice Fishing Shelter up off the Ice while Traveling, Preventing Wear and Damage to your Shelter, while also Providing Extra Traction for your ATV.



"Powder Coat Finish"



Model: ATV-RK

- Handles Shelter and Gear up to 85 lbs.
- Cabin Shelters up to 36" x 60" x 7" thick.
- Flip Shelters with a Sled up to 30" x 48" at the bottom.
- 3/4" Square Tubular Steel Frame.
- Attaches to Steel ATV Racks.
- Easy Assembly.
- Weighs just 15 lbs.

Fits these Shelters:

Rover 1.0, Rover 1.5DX, S2000, S3000, DX3000 and any similar size shelter.